

	1
	1
	
1-1	
1-1	
1-	
1-	
1-	
1-	11
1-	1
1-	1
1-	1
1-	1
1-10	1
1-11	
1-1	
1-1	
1-1	
1-1	
1-1	0
1-1	
1-1	
	
-1	
-1	
-	0
-	1
-	
-	
-	
-	
-	1
-10	
-11	
-1	
-1	
-1	1
-1	
-1	
-1	
-1	
	0

[2014] 55

- 1.
- 2.
- 3.
- 4.

--

--

		1-1	1	1-1	1-1
		-1	1	-1	-1
		-1	1	-1	-1

1

I/O

C

/

Kei I C

2

1

/ /

Kei I C

MCU

/ /

2

6S (

)

/

3

120

4

20		10	0	
				1
				2
		10		3
				4
			5	

10

5

30 j (,

1



2

PCB

E

3

1

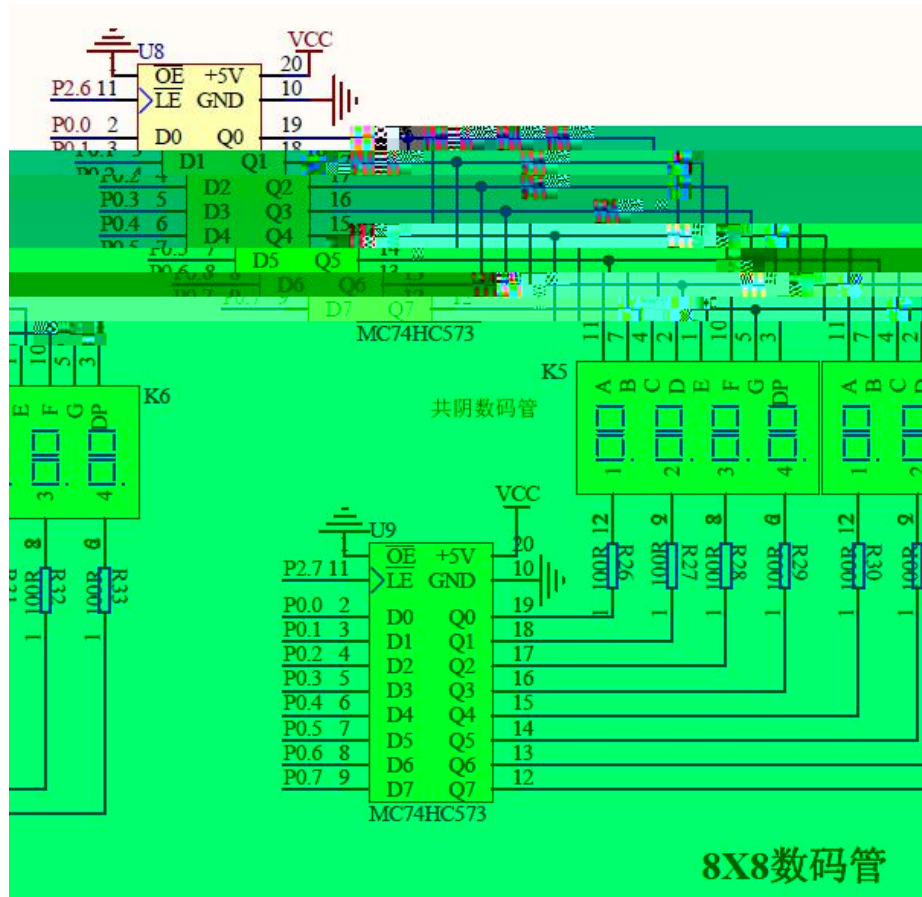


2

PCB
E

3

1

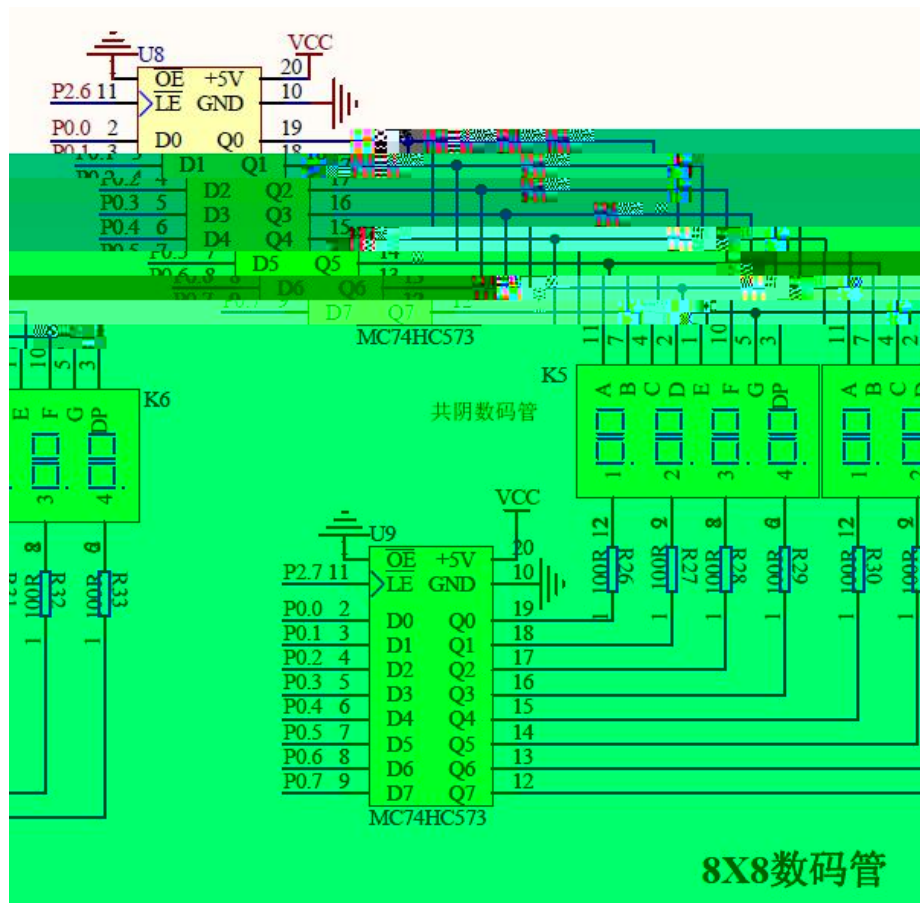


2

PCB
E

3

1



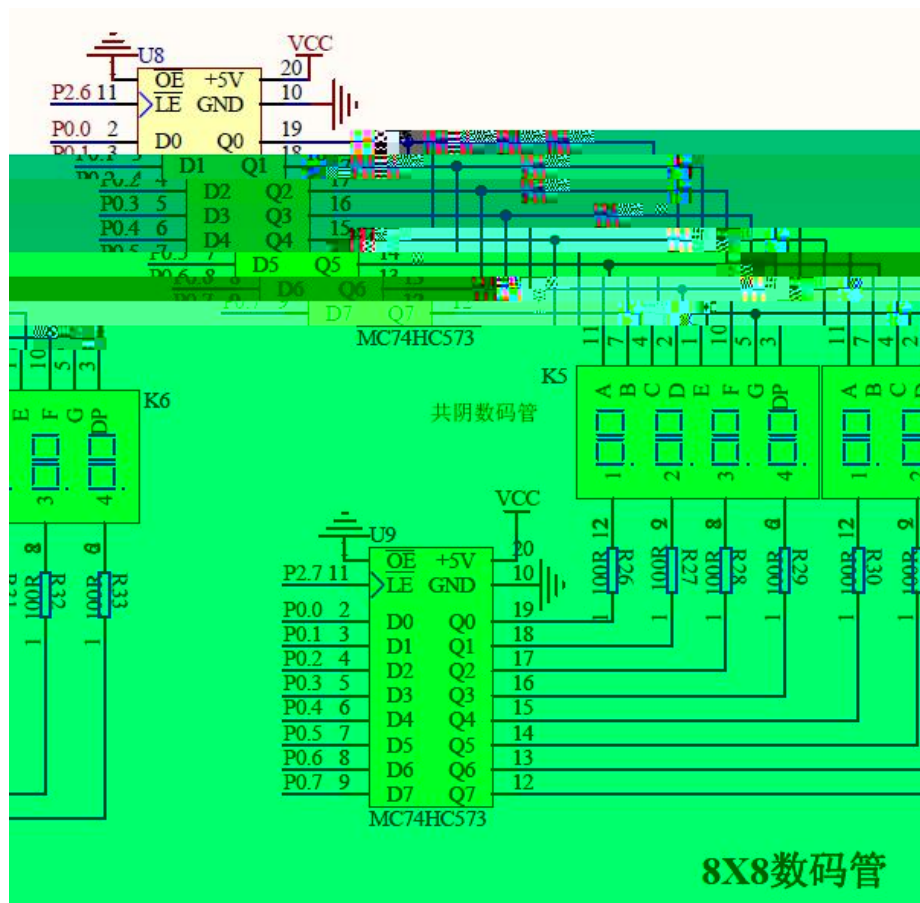
2

PCB

E

3

1



2

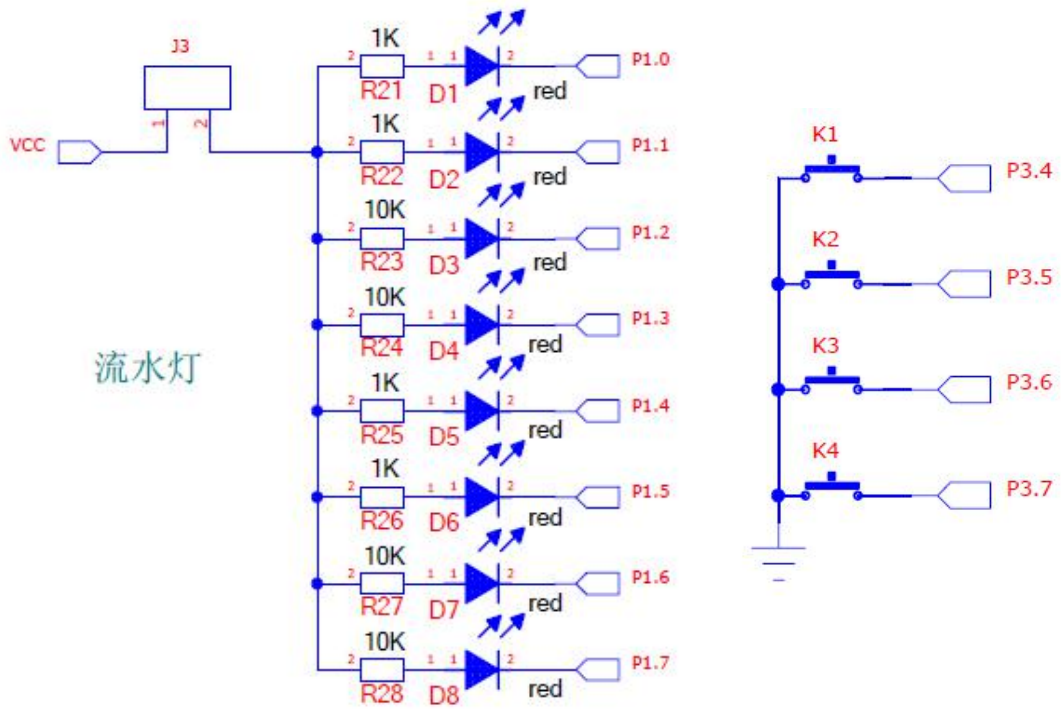
PCB

E

3

1

K1	D1	D2	D3	D4	K2	D5	D6	D7	D8	K3	8
			K4	8							



2

PCB
E

3

1

K1 8



2

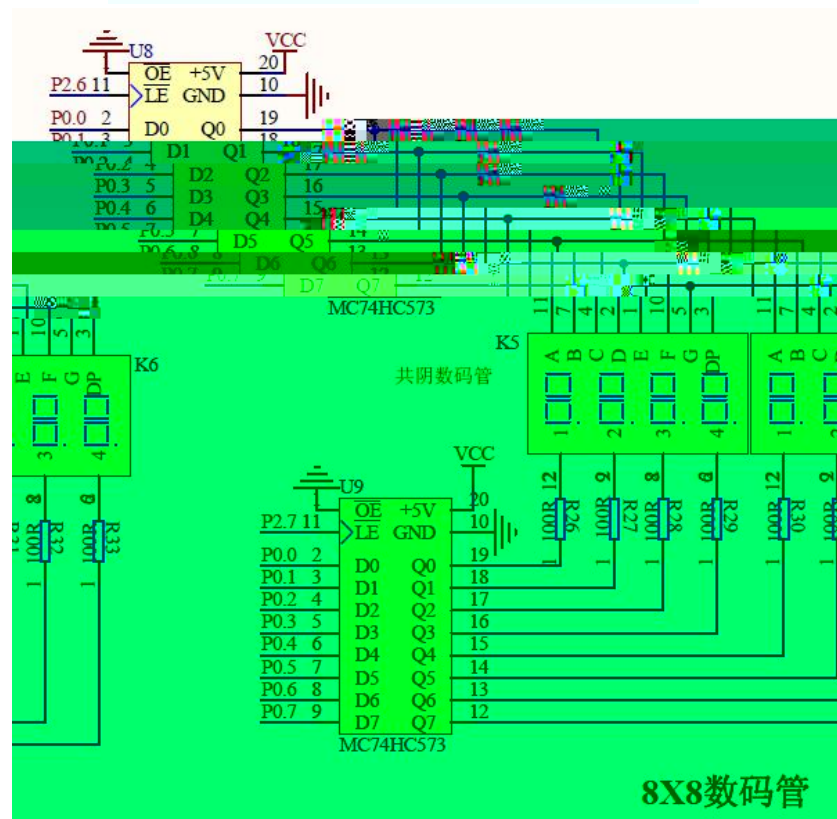
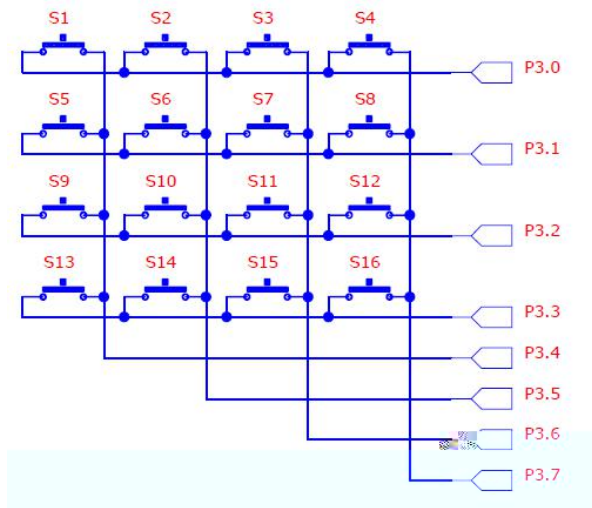
PCB
E

3

1

S1-S16

O-F



2

PCB

E

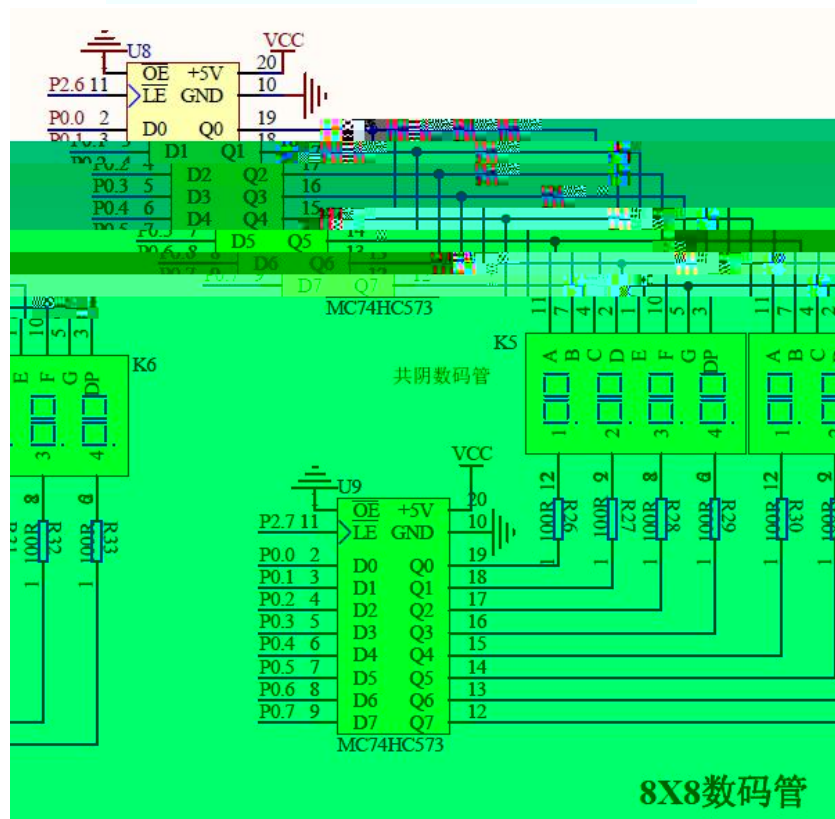
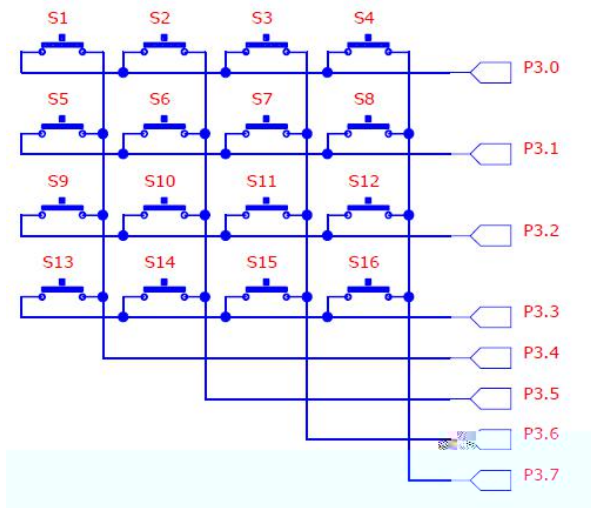
3

1

P3.2

1

9 0



1

2

PCB

E

3

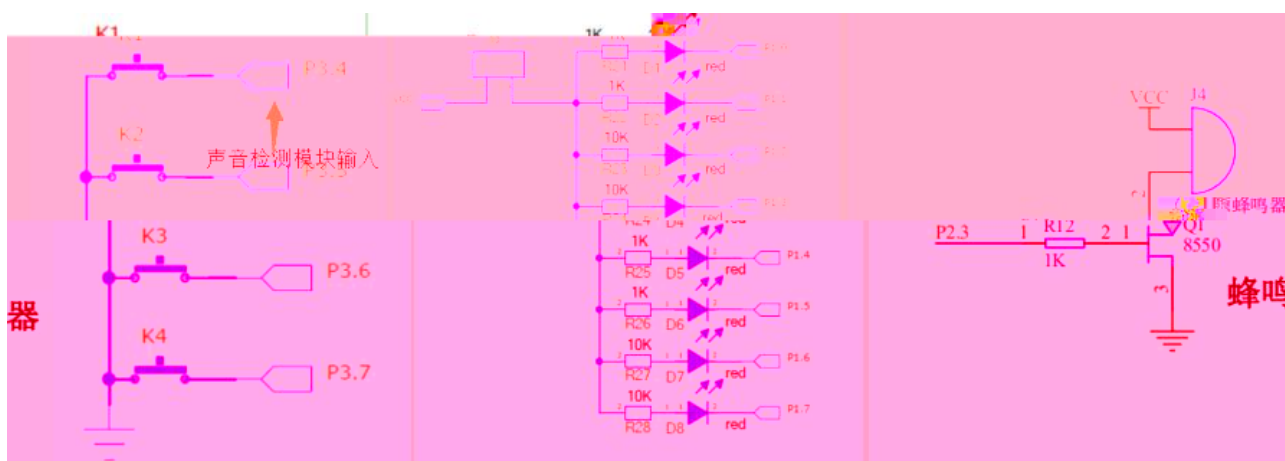
1

P3.4

1

P3.4

D1



1

2

PCB

E

3

1

P3.7

1

P3.7



1

2

PCB
E

3

1

1

K1

D1

K2

D2



1

2

PCB

E

3

1

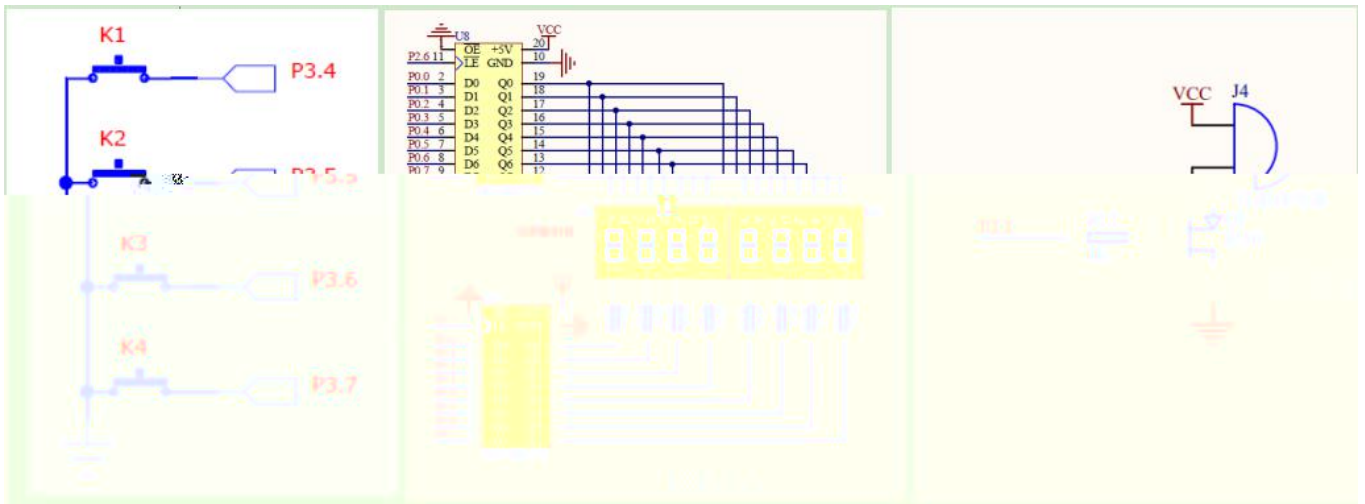
1

K1

K2 K3 K4

K1

" 1"



2

PCB

E

3

1

2



2

PCB

E

3

1

1

P3.6

P3.6



1

2

PCB

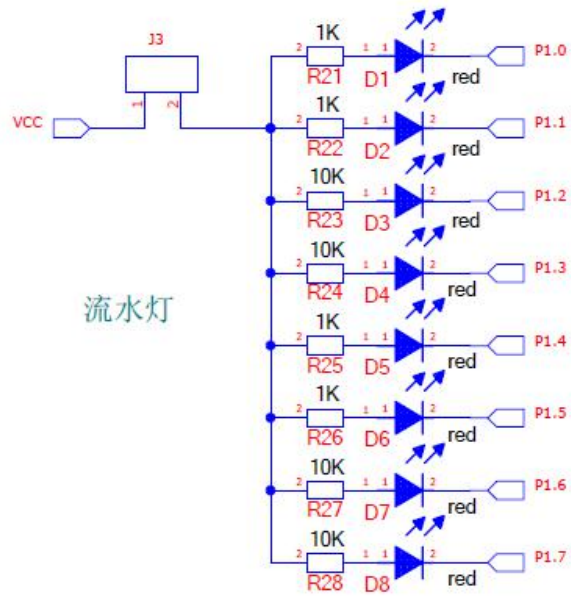
E

3

0

1

0.5S 0.5S



2

PCB

E

3

1

K1

D1-D4

K2

D5-D8



2

PCB

E

3

1

/ /

1

/ /

/ /

()

/

1 0

20		10			0
			1		
		10	2		
			3		

			4	
			5	
30		10		
		5		
		5		
		10		
50		5		
		5	1 2	PCB
		10		
		15	1 2 3	
		15		

5

18

1



2

3

1



2

3

1



2

3

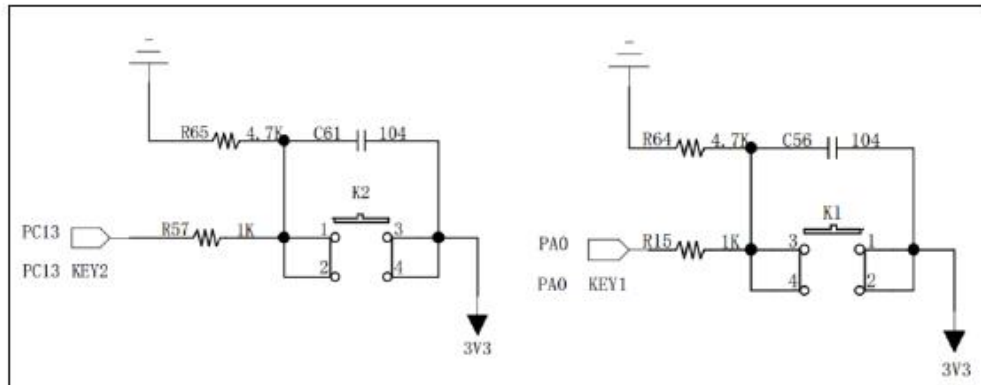
1



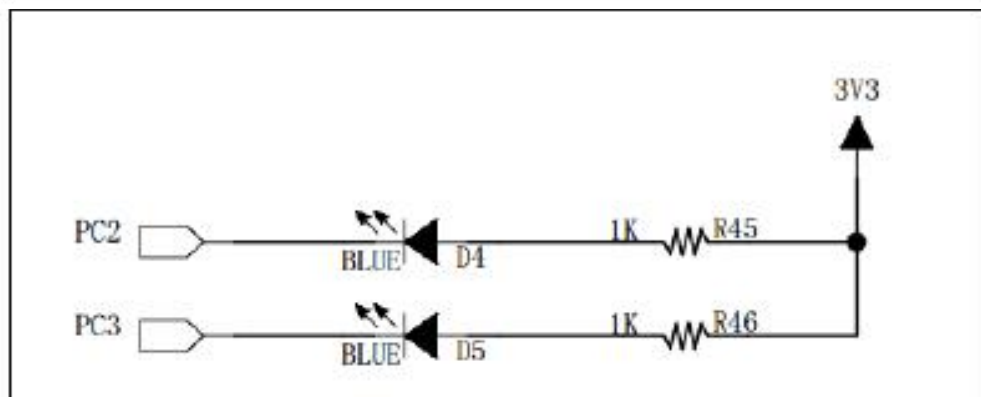
2

3

1



2



3

1

1	VBAT	VDD	64
2	PC13/ANT1	VSS	63
3	PC14/OSC32	PB9/TIM4_CH4/SDIO_D5	62
4	PC15/OSC32	PB8/TIM4_CH3/SDIO_D4	61
5	PD0/OSCIN	...	60
6	PD1/OSCOU	... BO0T0	59
7	NRST	PB7/I2C1_SDA/TIM4_CH2	58
8	PC0/ADC10	PB6/I2C1_SCL/TIM4_CH1	57
9	PC1/ADC11	PB5/I2C1_SMBA/SPI3_MOSI/I2S3_SD	56
10	PC2/ADC12	PB4/JNTRST/SPI3_MISO	55
11	PC3/ADC13	PB3/JTDO/SPI3_SCK/I2S3_CK	54
12	VSSA	PD2/U5_RX/TIM3_ETR/SDIO_CMD	53
13	VDDA	PC12/U5_TX/SDIO_CK	52
14	PA0/WKUP/ADC0/TIM2_CH1_ETR/TIM5_CH1/TIM8_ETR	PC11/U4_RX/SDIO_D3	51
15	PA1/ADC1/TIM2_CH2/TIM5_CH2	PC10/U4_TX/SDIO_D2	50
16	PA2/U2_TX/ADC2/TIM2_CH3/TIM5_CH3	PA15/JTDI/SPI3_NSS/I2S3_WS	49
17	PA3/U2_RX/ADC3/TIM2_CH4/TIM5_CH4	PA14/JTCK/SWCLK	48
18	VDD	VDD	4
19	VSS	VSS	5
20	PA4/ADC0/ADC0/ADC0	PA13/TIM2_CH5	6
21	PA5/ADC1/ADC1/ADC1	PA12/TIM2_CH4	7
22	PA6/ADC2/ADC2/ADC2	PA11/TIM2_CH3	8
23	PA7/ADC3/ADC3/ADC3	PA10/TIM2_CH2	9
24	PA8/TIM2_CH1	PA9/TIM2_CH1	10
25	PA9/TIM2_CH1	PA8/TIM2_CH1	11
26	PA10/TIM2_CH2	PA7/TIM2_CH2	12
27	PA11/TIM2_CH3	PA6/TIM2_CH3	13
28	PA12/TIM2_CH4	PA5/TIM2_CH4	14
29	PA13/TIM2_CH5	PA4/TIM2_CH5	15
30	PA14/JTCK/SWCLK	PA3/TIM2_CH5	16
31	PA15/JTDI/SPI3_NSS/I2S3_WS	PA2/TIM2_CH5	17
32	PA16/SPI3_NSS/I2S3_WS	PA1/TIM2_CH5	18
33	PA17/SPI3_MISO	PA0/TIM2_CH5	19
34	PA18/SPI3_MOSI	PA0/TIM2_CH5	20
35	PA19/SPI3_SCK	PA0/TIM2_CH5	21
36	PA20/SPI3_CS	PA0/TIM2_CH5	22
37	PA21/SPI3_CS	PA0/TIM2_CH5	23
38	PA22/SPI3_CS	PA0/TIM2_CH5	24
39	PA23/SPI3_CS	PA0/TIM2_CH5	25
40	PA24/SPI3_CS	PA0/TIM2_CH5	26
41	PA25/SPI3_CS	PA0/TIM2_CH5	27
42	PA26/SPI3_CS	PA0/TIM2_CH5	28
43	PA27/SPI3_CS	PA0/TIM2_CH5	29
44	PA28/SPI3_CS	PA0/TIM2_CH5	30
45	PA29/SPI3_CS	PA0/TIM2_CH5	31
46	PA30/SPI3_CS	PA0/TIM2_CH5	32
47	PA31/SPI3_CS	PA0/TIM2_CH5	33
48	PA32/SPI3_CS	PA0/TIM2_CH5	34
49	PA33/SPI3_CS	PA0/TIM2_CH5	35
50	PA34/SPI3_CS	PA0/TIM2_CH5	36
51	PA35/SPI3_CS	PA0/TIM2_CH5	37
52	PA36/SPI3_CS	PA0/TIM2_CH5	38
53	PA37/SPI3_CS	PA0/TIM2_CH5	39
54	PA38/SPI3_CS	PA0/TIM2_CH5	40
55	PA39/SPI3_CS	PA0/TIM2_CH5	41
56	PA40/SPI3_CS	PA0/TIM2_CH5	42
57	PA41/SPI3_CS	PA0/TIM2_CH5	43
58	PA42/SPI3_CS	PA0/TIM2_CH5	44
59	PA43/SPI3_CS	PA0/TIM2_CH5	45
60	PA44/SPI3_CS	PA0/TIM2_CH5	46
61	PA45/SPI3_CS	PA0/TIM2_CH5	47
62	PA46/SPI3_CS	PA0/TIM2_CH5	48
63	PA47/SPI3_CS	PA0/TIM2_CH5	49
64	PA48/SPI3_CS	PA0/TIM2_CH5	50
65	PA49/SPI3_CS	PA0/TIM2_CH5	51
66	PA50/SPI3_CS	PA0/TIM2_CH5	52
67	PA51/SPI3_CS	PA0/TIM2_CH5	53
68	PA52/SPI3_CS	PA0/TIM2_CH5	54
69	PA53/SPI3_CS	PA0/TIM2_CH5	55
70	PA54/SPI3_CS	PA0/TIM2_CH5	56
71	PA55/SPI3_CS	PA0/TIM2_CH5	57
72	PA56/SPI3_CS	PA0/TIM2_CH5	58
73	PA57/SPI3_CS	PA0/TIM2_CH5	59
74	PA58/SPI3_CS	PA0/TIM2_CH5	60
75	PA59/SPI3_CS	PA0/TIM2_CH5	61
76	PA60/SPI3_CS	PA0/TIM2_CH5	62
77	PA61/SPI3_CS	PA0/TIM2_CH5	63
78	PA62/SPI3_CS	PA0/TIM2_CH5	64
79	PA63/SPI3_CS	PA0/TIM2_CH5	65
80	PA64/SPI3_CS	PA0/TIM2_CH5	66
81	PA65/SPI3_CS	PA0/TIM2_CH5	67
82	PA66/SPI3_CS	PA0/TIM2_CH5	68
83	PA67/SPI3_CS	PA0/TIM2_CH5	69
84	PA68/SPI3_CS	PA0/TIM2_CH5	70
85	PA69/SPI3_CS	PA0/TIM2_CH5	71
86	PA70/SPI3_CS	PA0/TIM2_CH5	72
87	PA71/SPI3_CS	PA0/TIM2_CH5	73
88	PA72/SPI3_CS	PA0/TIM2_CH5	74
89	PA73/SPI3_CS	PA0/TIM2_CH5	75
90	PA74/SPI3_CS	PA0/TIM2_CH5	76
91	PA75/SPI3_CS	PA0/TIM2_CH5	77
92	PA76/SPI3_CS	PA0/TIM2_CH5	78
93	PA77/SPI3_CS	PA0/TIM2_CH5	79
94	PA78/SPI3_CS	PA0/TIM2_CH5	80
95	PA79/SPI3_CS	PA0/TIM2_CH5	81
96	PA80/SPI3_CS	PA0/TIM2_CH5	82
97	PA81/SPI3_CS	PA0/TIM2_CH5	83
98	PA82/SPI3_CS	PA0/TIM2_CH5	84
99	PA83/SPI3_CS	PA0/TIM2_CH5	85
100	PA84/SPI3_CS	PA0/TIM2_CH5	86
101	PA85/SPI3_CS	PA0/TIM2_CH5	87
102	PA86/SPI3_CS	PA0/TIM2_CH5	88
103	PA87/SPI3_CS	PA0/TIM2_CH5	89
104	PA88/SPI3_CS	PA0/TIM2_CH5	90
105	PA89/SPI3_CS	PA0/TIM2_CH5	91
106	PA90/SPI3_CS	PA0/TIM2_CH5	92
107	PA91/SPI3_CS	PA0/TIM2_CH5	93
108	PA92/SPI3_CS	PA0/TIM2_CH5	94
109	PA93/SPI3_CS	PA0/TIM2_CH5	95
110	PA94/SPI3_CS	PA0/TIM2_CH5	96
111	PA95/SPI3_CS	PA0/TIM2_CH5	97
112	PA96/SPI3_CS	PA0/TIM2_CH5	98
113	PA97/SPI3_CS	PA0/TIM2_CH5	99
114	PA98/SPI3_CS	PA0/TIM2_CH5	100
115	PA99/SPI3_CS	PA0/TIM2_CH5	101
116	PA100/SPI3_CS	PA0/TIM2_CH5	102
117	PA101/SPI3_CS	PA0/TIM2_CH5	103
118	PA102/SPI3_CS	PA0/TIM2_CH5	104
119	PA103/SPI3_CS	PA0/TIM2_CH5	105
120	PA104/SPI3_CS	PA0/TIM2_CH5	106
121	PA105/SPI3_CS	PA0/TIM2_CH5	107
122	PA106/SPI3_CS	PA0/TIM2_CH5	108
123	PA107/SPI3_CS	PA0/TIM2_CH5	109
124	PA108/SPI3_CS	PA0/TIM2_CH5	110
125	PA109/SPI3_CS	PA0/TIM2_CH5	111
126	PA110/SPI3_CS	PA0/TIM2_CH5	112
127	PA111/SPI3_CS	PA0/TIM2_CH5	113
128	PA112/SPI3_CS	PA0/TIM2_CH5	114
129	PA113/SPI3_CS	PA0/TIM2_CH5	115
130	PA114/SPI3_CS	PA0/TIM2_CH5	116
131	PA115/SPI3_CS	PA0/TIM2_CH5	117
132	PA116/SPI3_CS	PA0/TIM2_CH5	118
133	PA117/SPI3_CS	PA0/TIM2_CH5	119
134	PA118/SPI3_CS	PA0/TIM2_CH5	120
135	PA119/SPI3_CS	PA0/TIM2_CH5	121
136	PA120/SPI3_CS	PA0/TIM2_CH5	122
137	PA121/SPI3_CS	PA0/TIM2_CH5	123
138	PA122/SPI3_CS	PA0/TIM2_CH5	124
139	PA123/SPI3_CS	PA0/TIM2_CH5	125
140	PA124/SPI3_CS	PA0/TIM2_CH5	126
141	PA125/SPI3_CS	PA0/TIM2_CH5	127
142	PA126/SPI3_CS	PA0/TIM2_CH5	128
143	PA127/SPI3_CS	PA0/TIM2_CH5	129
144	PA128/SPI3_CS	PA0/TIM2_CH5	130
145	PA129/SPI3_CS	PA0/TIM2_CH5	131
146	PA130/SPI3_CS	PA0/TIM2_CH5	132
147	PA131/SPI3_CS	PA0/TIM2_CH5	133
148	PA132/SPI3_CS	PA0/TIM2_CH5	134
149	PA133/SPI3_CS	PA0/TIM2_CH5	135
150	PA134/SPI3_CS	PA0/TIM2_CH5	136
151	PA135/SPI3_CS	PA0/TIM2_CH5	137
152	PA136/SPI3_CS	PA0/TIM2_CH5	138
153	PA137/SPI3_CS	PA0/TIM2_CH5	139
154	PA138/SPI3_CS	PA0/TIM2_CH5	140
155	PA139/SPI3_CS	PA0/TIM2_CH5	141
156	PA140/SPI3_CS	PA0/TIM2_CH5	142
157	PA141/SPI3_CS	PA0/TIM2_CH5	143
158	PA142/SPI3_CS	PA0/TIM2_CH5	144
159	PA143/SPI3_CS	PA0/TIM2_CH5	145
160	PA144/SPI3_CS	PA0/TIM2_CH5	146
161	PA145/SPI3_CS	PA0/TIM2_CH5	147
162	PA146/SPI3_CS	PA0/TIM2_CH5	148
163	PA147/SPI3_CS	PA0/TIM2_CH5	149
164	PA148/SPI3_CS	PA0/TIM2_CH5	150
165	PA149/SPI3_CS	PA0/TIM2_CH5	151
166	PA150/SPI3_CS	PA0/TIM2_CH5	152
167	PA151/SPI3_CS	PA0/TIM2_CH5	153
168	PA152/SPI3_CS	PA0/TIM2_CH5	154
169	PA153/SPI3_CS	PA0/TIM2_CH5	155
170	PA154/SPI3_CS	PA0/TIM2_CH5	156
171	PA155/SPI3_CS	PA0/TIM2_CH5	157
172	PA156/SPI3_CS	PA0/TIM2_CH5	158
173	PA157/SPI3_CS	PA0/TIM2_CH5	159
174	PA158/SPI3_CS	PA0/TIM2_CH5	160
175	PA159/SPI3_CS	PA0/TIM2_CH5	161
176	PA160/SPI3_CS	PA0/TIM2_CH5	162
177	PA161/SPI3_CS	PA0/TIM2_CH5	163
178	PA162/SPI3_CS	PA0/TIM2_CH5	164
179	PA163/SPI3_CS	PA0/TIM2_CH5	165
180	PA164/SPI3_CS	PA0/TIM2_CH5	166
181	PA165/SPI3_CS	PA0/TIM2_CH5	167
182	PA166/SPI3_CS	PA0/TIM2_CH5	168
183	PA167/SPI3_CS	PA0/TIM2_CH5	169
184	PA168/SPI3_CS	PA0/TIM2_CH5	170
185	PA169/SPI3_CS	PA0/TIM2_CH5	171
186	PA170/SPI3_CS	PA0/TIM2_CH5	172
187	PA171/SPI3_CS	PA0/TIM2_CH5	173
188	PA172/SPI3_CS	PA0/TIM2_CH5	174
189	PA173/SPI3_CS	PA0/TIM2_CH5	175
190	PA174/SPI3_CS	PA0/TIM2_CH5	176
191	PA175/SPI3_CS	PA0/TIM2_CH5	177
192	PA176/SPI3_CS	PA0/TIM2_CH5	178
193	PA177/SPI3_CS	PA0/TIM2_CH5	179
194	PA178/SPI3_CS	PA0/TIM2_CH5	180
195	PA179/SPI3_CS	PA0/TIM2_CH5	181
196	PA180/SPI3_CS	PA0/TIM2_CH5	182
197	PA181/SPI3_CS	PA0/TIM2_CH5	183
198	PA182/SPI3_CS	PA0/TIM2_CH5	184
199	PA183/SPI3_CS	PA0/TIM2_CH5	185
200	PA184/SPI3_CS	PA0/TIM2_CH5	186
201	PA185/SPI3_CS	PA0/TIM2_CH5	187
202	PA186/SPI3_CS	PA0/TIM2_CH5	188
203	PA187/SPI3_CS	PA0/TIM2_CH5	189
204	PA188/SPI3_CS	PA0/TIM2_CH5	190
205	PA189/SPI3_CS	PA0/TIM2_CH5	191
206	PA190/SPI3_CS	PA0/TIM2_CH5	192
207	PA191/SPI3_CS	PA0/TIM2_CH5	193
208	PA192/SPI3_CS	PA0/TIM2_CH5	194
209	PA193/SPI3_CS	PA0/TIM2_CH5	195
210	PA194/SPI3_CS	PA0/TIM2_CH5	196
211	PA195/SPI3_CS	PA0/TIM2_CH5	197
212	PA196/SPI3_CS	PA0/TIM2_CH5	198
213	PA197/SPI3_CS	PA0/TIM2_CH5	199
214	PA198/SPI3_CS	PA0/TIM2_CH5	200
215	PA199/SPI3_CS	PA0/TIM2_CH5	201
216	PA200/SPI3_CS	PA0/TIM2_CH5	202
217	PA201/SPI3_CS	PA0/TIM2_CH5	203
218	PA202/SPI3_CS	PA0/TIM2_CH5	204
219	PA203/SPI3_CS	PA0/TIM2_CH5	205
220	PA204/SPI3_CS	PA0/TIM2_CH5	206
221	PA205/SPI3_CS	PA0/TIM2_CH5	207
222	PA206/SPI3_CS	PA0/TIM2_CH5	208
223	PA207/SPI3_CS	PA0/TIM2_CH5	209
224	PA208/SPI3_CS	PA0/TIM2_CH5	210
225	PA209/SPI3_CS	PA0/TIM2_CH5	211
226	PA210/SPI3_CS	PA0/TIM2_CH5	212
227	PA211/SPI3_CS	PA0/TIM2_CH5	213
228	PA212/SPI3_CS	PA0/TIM2_CH5	214
229	PA213/SPI3_CS	PA0/TIM2_CH5	215
230	PA214/SPI3_CS	PA0/TIM2_CH5	216
231	PA215/SPI3_CS	PA0/TIM2_CH5	217
232	PA216/SPI3_CS	PA0/TIM2_CH5	218
233	PA217/SPI3_CS	PA0/TIM2_CH5	219
234	PA218/SPI3_CS	PA0/TIM2_CH5	220
235	PA219/SPI3_CS	PA0/TIM2_CH5	221
236	PA220/SPI3_CS	PA0/TIM2_CH5	222
237	PA221/SPI3_CS	PA0/TIM2_CH5	223
238	PA222/SPI3_CS	PA0/TIM2_CH5	224
239	PA223/SPI3_CS	PA0/TIM2_CH5	225
240	PA224/SPI3_CS	PA0/TIM2_CH5	226
241	PA225/SPI3_CS	PA0/TIM2_CH5	227
242	PA226/SPI3_CS	PA0/TIM2_CH5	228
243	PA227/SPI3_CS	PA0/TIM2_CH5	229
244	PA228/SPI3_CS	PA0/TIM2_CH5	230
245	PA229/SPI3_CS	PA0/TIM2_CH5	231
246	PA230/SPI3_CS	PA0/TIM2_CH5	232
247	PA231/SPI3_CS	PA0/TIM2_CH5	233
248	PA232/SPI3_CS	PA0/TIM2_CH5	234
249	PA233/SPI3_CS	PA0/TIM2_CH5	235
250	PA234/SPI3_CS	PA0/TIM2_CH5	236
251	PA235/SPI3_CS	PA0/TIM2_CH5	237
252	PA236/SPI3_CS	PA0/TIM2_CH5	238
253	PA237/SPI3_CS	PA0/TIM2_CH5	239
254	PA238/SPI3_CS	PA0/TIM2_CH5	240
255	PA239/SPI3_CS	PA0/TIM2_CH5	241
256	PA240/SPI3_CS	PA0/TIM2_CH5	242
257	PA241/SPI3_CS	PA0/TIM2_CH5	243
258	PA242/SPI3_CS	PA0/TIM2_CH5	244
259	PA243/SPI3_CS	PA0/TIM2_CH5	245
260	PA244/SPI3_CS	PA0/TIM2_CH5	246
261	PA245/SPI3_CS	PA0/TIM2_CH5	247
262	PA246/SPI3_CS	PA0/TIM2_CH5	248
263	PA247/SPI3_CS	PA0/TIM2_CH5	249
264	PA248/SPI3_CS	PA0/TIM2_CH5	250
265	PA249/SPI3_CS	PA0/TIM2_CH5	251
266	PA250/SPI3_CS	PA0/TIM2_CH5	252
267	PA251/SPI3_CS	PA0/TIM2_CH5	253
268	PA252/SPI3_CS	PA0/TIM2_CH5	254
269	PA253/SPI3_CS	PA0/TIM2_CH5	255
270	PA254/SPI3_CS	PA0/TIM2_CH5	256
271	PA255/SPI3_CS	PA0/TIM2_CH5	257
272	PA256/SPI3_CS	PA0/TIM2_CH5	258
273	PA257/SPI3_CS	PA0/TIM2_CH5	259
274	PA258/SPI3_CS	PA0/TIM2_CH5	260
275	PA259/SPI3_CS	PA0/TIM2_CH5	261
276	PA260/SPI3_CS	PA0/TIM2_CH5	262
277	PA261/SPI3_CS	PA0/TIM2_CH5	263
278	PA262/SPI3_CS	PA0/TIM2_CH5	264
279	PA263/SPI3_CS	PA0/TIM2_CH5	265
2			

1



2

3

1

1	VBAT	VDD	64
2	PC13/ANT1	VSS	63
3	PC14/OSC32	PB9/TIM4_CH4/SDIO_D5	62
4	PC15/OSC32	PB8/TIM4_CH3/SDIO_D4	61
5	PD0/OSCIN	BOOT0	60
6	PD1/OSCCOUT	PB7/I2C1_SDA/TIM4_CH2	59
7	NRST	PB6/I2C1_SCL/TIM4_CH1	58
8	PC0/ADC10	PB5/I2C1_SMBA/SPI3_MOSI/I2S3_SD	57
9	PC1/ADC11	PB4/JNTRST/SPI3_MISO	56
10	PC2/ADC12	PB3/JTDC/SPI3_SCK/I2S3_CK	55
11	PC3/ADC13	PD2/U5_RX/TIM3_ETR/SDIO_CMD	54
12	VSSA	PC12/U5_TX/SDIO_CK	53
13	VDDA	PC11/U4_RX/SDIO_D3	52
14	PA0/WKUP/ADC0/TIM2_CH1_ETR/TIM5_CH1/TIM8_ETR	PC10/U4_TX/SDIO_D2	51
15	PA1/ADC1/TIM2_CH2/TIM5_CH2	PA15/JTDI/SPI3_NSS/I2S3_WS	50
16	PA2/U2_TX/ADC2/TIM2_CH3/TIM5_CH3	PA14/JTCK/SWCLK	49
17	PA3/U2_RX/ADC3/TIM2_CH4/TIM5_CH4	VDD	4
18	PA4	VDD	5
19	PA5	PA13/TIM8_CH3	6
20	PA6	PA12/CKI1/ADC12_IN1	7
21	PA7	PA11/CKM/PAUCC1/TIM1_ETR	8
22	PA8	PA10/CKP/PAUCC2/TIM1_ETR	9
23	PA9	PA9/CKR/PAUCC3/TIM1_ETR	10
24	PA10	PA8/CKL/PAUCC4/TIM1_ETR	11
25	PA11	PA7/CKH/PAUCC5/TIM1_ETR	12
26	PA12	PA6/CKJ/PAUCC6/TIM1_ETR	13
27	PA13	PA5/CKK/PAUCC7/TIM1_ETR	14
28	PA14	PA4/CKL/PAUCC8/TIM1_ETR	15
29	PA15	PA3/CKM/PAUCC9/TIM1_ETR	16
30	PA16	PA2/CKN/PAUCC10/TIM1_ETR	17
31	PA17	PA1/CKP/PAUCC11/TIM1_ETR	18
32	PA18	PA0/CKQ/PAUCC12/TIM1_ETR	19
33	PA19	PA19/CKR/PAUCC13/TIM1_ETR	20
34	PA20	PA18/CKS/PAUCC14/TIM1_ETR	21
35	PA21	PA17/CKT/PAUCC15/TIM1_ETR	22
36	PA22	PA16/CKU/PAUCC16/TIM1_ETR	23
37	PA23	PA15/CKV/PAUCC17/TIM1_ETR	24
38	PA24	PA14/CKW/PAUCC18/TIM1_ETR	25
39	PA25	PA13/CKX/PAUCC19/TIM1_ETR	26
40	PA26	PA12/CKY/PAUCC20/TIM1_ETR	27
41	PA27	PA11/CKZ/PAUCC21/TIM1_ETR	28
42	PA28	PA10/CK0/PAUCC22/TIM1_ETR	29
43	PA29	PA9/CK1/PAUCC23/TIM1_ETR	30
44	PA30	PA8/CK2/PAUCC24/TIM1_ETR	31
45	PA31	PA7/CK3/PAUCC25/TIM1_ETR	32
46	PA32	PA6/CK4/PAUCC26/TIM1_ETR	33
47	PA33	PA5/CK5/PAUCC27/TIM1_ETR	34
48	PA34	PA4/CK6/PAUCC28/TIM1_ETR	35
49	PA35	PA3/CK7/PAUCC29/TIM1_ETR	36
50	PA36	PA2/CK8/PAUCC30/TIM1_ETR	37
51	PA37	PA1/CK9/PAUCC31/TIM1_ETR	38
52	PA38	PA0/CK10/PAUCC32/TIM1_ETR	39
53	PA39	PA39/CK11/PAUCC33/TIM1_ETR	40
54	PA40	PA38/CK12/PAUCC34/TIM1_ETR	41
55	PA41	PA37/CK13/PAUCC35/TIM1_ETR	42
56	PA42	PA36/CK14/PAUCC36/TIM1_ETR	43
57	PA43	PA35/CK15/PAUCC37/TIM1_ETR	44
58	PA44	PA34/CK16/PAUCC38/TIM1_ETR	45
59	PA45	PA33/CK17/PAUCC39/TIM1_ETR	46
60	PA46	PA32/CK18/PAUCC40/TIM1_ETR	47
61	PA47	PA31/CK19/PAUCC41/TIM1_ETR	48
62	PA48	PA30/CK20/PAUCC42/TIM1_ETR	49
63	PA49	PA29/CK21/PAUCC43/TIM1_ETR	50
64	PA50	PA28/CK22/PAUCC44/TIM1_ETR	51
65	PA51	PA27/CK23/PAUCC45/TIM1_ETR	52
66	PA52	PA26/CK24/PAUCC46/TIM1_ETR	53
67	PA53	PA25/CK25/PAUCC47/TIM1_ETR	54
68	PA54	PA24/CK26/PAUCC48/TIM1_ETR	55
69	PA55	PA23/CK27/PAUCC49/TIM1_ETR	56
70	PA56	PA22/CK28/PAUCC50/TIM1_ETR	57
71	PA57	PA21/CK29/PAUCC51/TIM1_ETR	58
72	PA58	PA20/CK30/PAUCC52/TIM1_ETR	59
73	PA59	PA19/CK31/PAUCC53/TIM1_ETR	60
74	PA60	PA18/CK32/PAUCC54/TIM1_ETR	61
75	PA61	PA17/CK33/PAUCC55/TIM1_ETR	62
76	PA62	PA16/CK34/PAUCC56/TIM1_ETR	63
77	PA63	PA15/CK35/PAUCC57/TIM1_ETR	64
78	PA64	PA14/CK36/PAUCC58/TIM1_ETR	65
79	PA65	PA13/CK37/PAUCC59/TIM1_ETR	66
80	PA66	PA12/CK38/PAUCC60/TIM1_ETR	67
81	PA67	PA11/CK39/PAUCC61/TIM1_ETR	68
82	PA68	PA10/CK40/PAUCC62/TIM1_ETR	69
83	PA69	PA9/CK41/PAUCC63/TIM1_ETR	70
84	PA70	PA8/CK42/PAUCC64/TIM1_ETR	71
85	PA71	PA7/CK43/PAUCC65/TIM1_ETR	72
86	PA72	PA6/CK44/PAUCC66/TIM1_ETR	73
87	PA73	PA5/CK45/PAUCC67/TIM1_ETR	74
88	PA74	PA4/CK46/PAUCC68/TIM1_ETR	75
89	PA75	PA3/CK47/PAUCC69/TIM1_ETR	76
90	PA76	PA2/CK48/PAUCC70/TIM1_ETR	77
91	PA77	PA1/CK49/PAUCC71/TIM1_ETR	78
92	PA78	PA0/CK50/PAUCC72/TIM1_ETR	79
93	PA79	PA79/CK51/PAUCC73/TIM1_ETR	80
94	PA80	PA78/CK52/PAUCC74/TIM1_ETR	81
95	PA81	PA77/CK53/PAUCC75/TIM1_ETR	82
96	PA82	PA76/CK54/PAUCC76/TIM1_ETR	83
97	PA83	PA75/CK55/PAUCC77/TIM1_ETR	84
98	PA84	PA74/CK56/PAUCC78/TIM1_ETR	85
99	PA85	PA73/CK57/PAUCC79/TIM1_ETR	86
100	PA86	PA72/CK58/PAUCC80/TIM1_ETR	87
101	PA87	PA71/CK59/PAUCC81/TIM1_ETR	88
102	PA88	PA70/CK60/PAUCC82/TIM1_ETR	89
103	PA89	PA69/CK61/PAUCC83/TIM1_ETR	90
104	PA90	PA68/CK62/PAUCC84/TIM1_ETR	91
105	PA91	PA67/CK63/PAUCC85/TIM1_ETR	92
106	PA92	PA66/CK64/PAUCC86/TIM1_ETR	93
107	PA93	PA65/CK65/PAUCC87/TIM1_ETR	94
108	PA94	PA64/CK66/PAUCC88/TIM1_ETR	95
109	PA95	PA63/CK67/PAUCC89/TIM1_ETR	96
110	PA96	PA62/CK68/PAUCC90/TIM1_ETR	97
111	PA97	PA61/CK69/PAUCC91/TIM1_ETR	98
112	PA98	PA60/CK70/PAUCC92/TIM1_ETR	99
113	PA99	PA59/CK71/PAUCC93/TIM1_ETR	100
114	PA100	PA58/CK72/PAUCC94/TIM1_ETR	101
115	PA101	PA57/CK73/PAUCC95/TIM1_ETR	102
116	PA102	PA56/CK74/PAUCC96/TIM1_ETR	103
117	PA103	PA55/CK75/PAUCC97/TIM1_ETR	104
118	PA104	PA54/CK76/PAUCC98/TIM1_ETR	105
119	PA105	PA53/CK77/PAUCC99/TIM1_ETR	106
120	PA106	PA52/CK78/PAUCC100/TIM1_ETR	107
121	PA107	PA51/CK79/PAUCC101/TIM1_ETR	108
122	PA108	PA50/CK80/PAUCC102/TIM1_ETR	109
123	PA109	PA49/CK81/PAUCC103/TIM1_ETR	110
124	PA110	PA48/CK82/PAUCC104/TIM1_ETR	111
125	PA111	PA47/CK83/PAUCC105/TIM1_ETR	112
126	PA112	PA46/CK84/PAUCC106/TIM1_ETR	113
127	PA113	PA45/CK85/PAUCC107/TIM1_ETR	114
128	PA114	PA44/CK86/PAUCC108/TIM1_ETR	115
129	PA115	PA43/CK87/PAUCC109/TIM1_ETR	116
130	PA116	PA42/CK88/PAUCC110/TIM1_ETR	117
131	PA117	PA41/CK89/PAUCC111/TIM1_ETR	118
132	PA118	PA40/CK90/PAUCC112/TIM1_ETR	119
133	PA119	PA39/CK91/PAUCC113/TIM1_ETR	120
134	PA120	PA38/CK92/PAUCC114/TIM1_ETR	121
135	PA121	PA37/CK93/PAUCC115/TIM1_ETR	122
136	PA122	PA36/CK94/PAUCC116/TIM1_ETR	123
137	PA123	PA35/CK95/PAUCC117/TIM1_ETR	124
138	PA124	PA34/CK96/PAUCC118/TIM1_ETR	125
139	PA125	PA33/CK97/PAUCC119/TIM1_ETR	126
140	PA126	PA32/CK98/PAUCC120/TIM1_ETR	127
141	PA127	PA31/CK99/PAUCC121/TIM1_ETR	128
142	PA128	PA30/CK100/PAUCC122/TIM1_ETR	129
143	PA129	PA29/CK101/PAUCC123/TIM1_ETR	130
144	PA130	PA28/CK102/PAUCC124/TIM1_ETR	131
145	PA131	PA27/CK103/PAUCC125/TIM1_ETR	132
146	PA132	PA26/CK104/PAUCC126/TIM1_ETR	133
147	PA133	PA25/CK105/PAUCC127/TIM1_ETR	134
148	PA134	PA24/CK106/PAUCC128/TIM1_ETR	135
149	PA135	PA23/CK107/PAUCC129/TIM1_ETR	136
150	PA136	PA22/CK108/PAUCC130/TIM1_ETR	137
151	PA137	PA21/CK109/PAUCC131/TIM1_ETR	138
152	PA138	PA20/CK110/PAUCC132/TIM1_ETR	139
153	PA139	PA19/CK111/PAUCC133/TIM1_ETR	140
154	PA140	PA18/CK112/PAUCC134/TIM1_ETR	141
155	PA141	PA17/CK113/PAUCC135/TIM1_ETR	142
156	PA142	PA16/CK114/PAUCC136/TIM1_ETR	143
157	PA143	PA15/CK115/PAUCC137/TIM1_ETR	144
158	PA144	PA14/CK116/PAUCC138/TIM1_ETR	145
159	PA145	PA13/CK117/PAUCC139/TIM1_ETR	146
160	PA146	PA12/CK118/PAUCC140/TIM1_ETR	147
161	PA147	PA11/CK119/PAUCC141/TIM1_ETR	148
162	PA148	PA10/CK120/PAUCC142/TIM1_ETR	149
163	PA149	PA9/CK121/PAUCC143/TIM1_ETR	150
164	PA150	PA8/CK122/PAUCC144/TIM1_ETR	151
165	PA151	PA7/CK123/PAUCC145/TIM1_ETR	152
166	PA152	PA6/CK124/PAUCC146/TIM1_ETR	153
167	PA153	PA5/CK125/PAUCC147/TIM1_ETR	154
168	PA154	PA4/CK126/PAUCC148/TIM1_ETR	155
169	PA155	PA3/CK127/PAUCC149/TIM1_ETR	156
170	PA156	PA2/CK128/PAUCC150/TIM1_ETR	157
171	PA157	PA1/CK129/PAUCC151/TIM1_ETR	158
172	PA158	PA0/CK130/PAUCC152/TIM1_ETR	159
173	PA159	PA159/CK131/PAUCC153/TIM1_ETR	160
174	PA160	PA158/CK132/PAUCC154/TIM1_ETR	161
175	PA161	PA157/CK133/PAUCC155/TIM1_ETR	162
176	PA162	PA156/CK134/PAUCC156/TIM1_ETR	163
177	PA163	PA155/CK135/PAUCC157/TIM1_ETR	164
178	PA164	PA154/CK136/PAUCC158/TIM1_ETR	165
179	PA165	PA153/CK137/PAUCC159/TIM1_ETR	166
180	PA166	PA152/CK138/PAUCC160/TIM1_ETR	167
181	PA167	PA151/CK139/PAUCC161/TIM1_ETR	168
182	PA168	PA150/CK140/PAUCC162/TIM1_ETR	169
183	PA169	PA149/CK141/PAUCC163/TIM1_ETR	170
184	PA170	PA148/CK142/PAUCC164/TIM1_ETR	171
185	PA171	PA147/CK143/PAUCC165/TIM1_ETR	172
186	PA172	PA146/CK144/PAUCC166/TIM1_ETR	173
187	PA173	PA145/CK145/PAUCC167/TIM1_ETR	174
188	PA174	PA144/CK146/PAUCC168/TIM1_ETR	175
189	PA175	PA143/CK147/PAUCC169/TIM1_ETR	176
190	PA176	PA142/CK148/PAUCC170/TIM1_ETR	177
191	PA177	PA141/CK149/PAUCC171/TIM1_ETR	178
192	PA178	PA140/CK150/PAUCC172/TIM1_ETR	179
193	PA179	PA139/CK151/PAUCC173/TIM1_ETR	180
194	PA180	PA138/CK152/PAUCC174/TIM1_ETR	181
195	PA181	PA137/CK153/PAUCC175/TIM1_ETR	182
196	PA182	PA136/CK154/PAUCC176/TIM1_ETR	183
197	PA183	PA135/CK155/PAUCC177/TIM1_ETR	184
198	PA184	PA134/CK156/PAUCC178/TIM1_ETR	185
199	PA185	PA133/CK157/PAUCC179/TIM1_ETR	186
200	PA186	PA132/CK158/PAUCC180/TIM1_ETR	187
201	PA187	PA131/CK159/PAUCC181/TIM1_ETR	188
202	PA188	PA130/CK160/PAUCC182/TIM1_ETR	189
203	PA189	PA129/CK161/PAUCC183/TIM1_ETR	190
204	PA190	PA128/CK162/PAUCC184/TIM1_ETR	191
205	PA191	PA127/CK163/PAUCC185/TIM1_ETR	192
206	PA192	PA126/CK164/PAUCC186/TIM1_ETR	193
207	PA193	PA125/CK165/PAUCC187/TIM1_ETR	194
208	PA194	PA124/CK166/PAUCC188/TIM1_ETR	195
209	PA195	PA123/CK167/PAUCC189/TIM1_ETR	196
210	PA196	PA122/CK168/PAUCC190/TIM1_ETR	197
211	PA197	PA121/CK169/PAUCC191/TIM1_ETR	198
212	PA198	PA120/CK170/PAUCC192/TIM1_ETR	199
213	PA199	PA119/CK171/PAUCC193/TIM1_ETR	200
214	PA200	PA118/CK172/PAUCC194/TIM1_ETR	201
215	PA201	PA117/CK173/PAUCC195/TIM1_ETR	202
216	PA202	PA116/CK174/PAUCC196/TIM1_ETR	203
217	PA203	PA115/CK175/PAUCC197/TIM1_ETR	204
218	PA204	PA114/CK176/PAUCC198/TIM1_ETR	205
219	PA205	PA113/CK177/PAUCC199/TIM1_ETR	206
220	PA206	PA112/CK178/PAUCC200/TIM1_ETR	207
221	PA207	PA111/CK179/PAUCC201/TIM1_ETR	208
222	PA208	PA110/CK180/PAUCC202/TIM1_ETR	209
223	PA209	PA109/CK181/PAUCC203/TIM1_ETR	210
224	PA210	PA108/CK182/PAUCC204/TIM1_ETR	211
225	PA211	PA107/CK183/PAUCC205/TIM1_ETR	212
226	PA212	PA106/CK184/PAUCC206/TIM1_ETR	213
227	PA213	PA105/CK185/PAUCC207/TIM1_ETR	214
228	PA214	PA104/CK186/PAUCC208/TIM1_ETR	215
229	PA215	PA103/CK187/PAUCC209/TIM1_ETR	216
230	PA216	PA102/CK188/PAUCC210/TIM1_ETR	217
231	PA217	PA101/CK189/PAUCC211/TIM1_ETR	218
232	PA218	PA100/CK190/PAUCC212/TIM1_ETR	219
233	PA219	PA99/CK191/PAUCC213/TIM1_ETR	220
234	PA220	PA98/CK192/PAUCC214/TIM1_ETR	221
235	PA221	PA97/CK193/PAUCC215/TIM1_ETR	222
236	PA222	PA96/CK194/PAUCC216/TIM1_ETR	223
237	PA223	PA95/CK195/PAUCC217/TIM1_ETR	224
238	PA224	PA94/CK196/PAUCC218/TIM1_ETR	225
239	PA225	PA93/CK197/PAUCC219/TIM1_ETR	226
240	PA226	PA92/CK198/PAUCC220/TIM1_ETR	227
241	PA227	PA91/CK199/PAUCC221/TIM1_ETR	228
2			

3

-

3

-

1

2

5

1

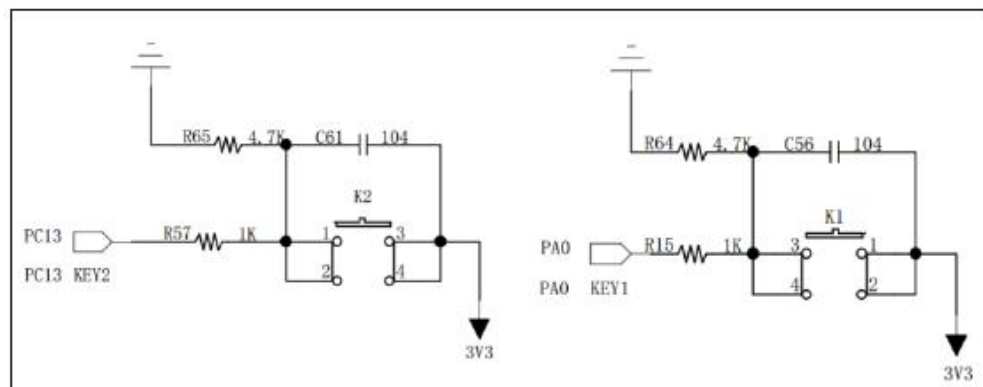
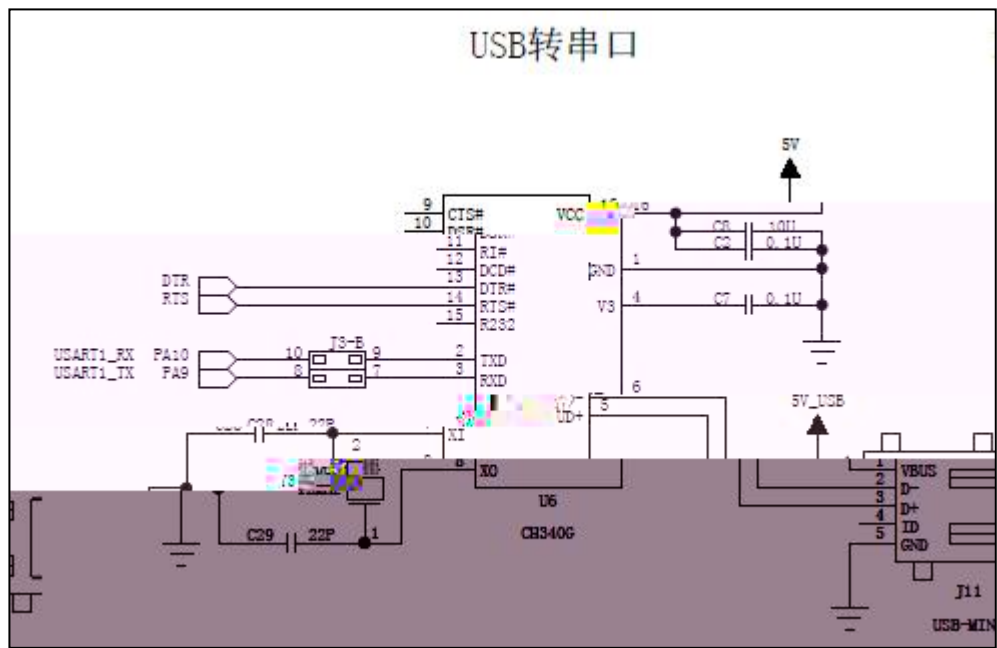


2

3

-

1

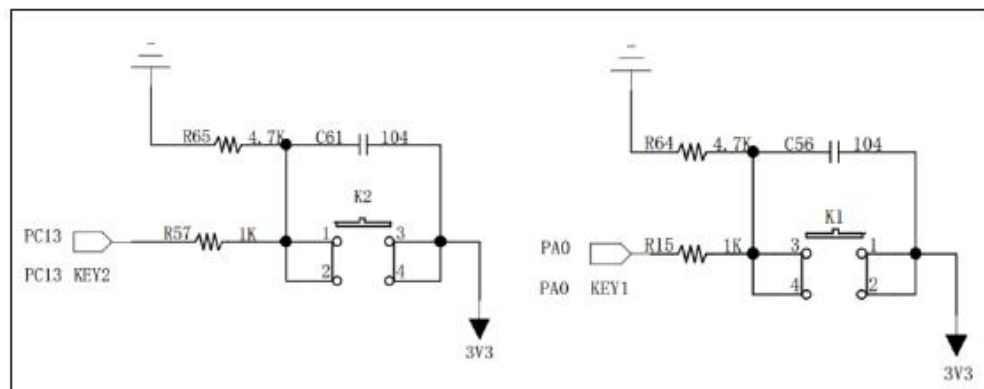
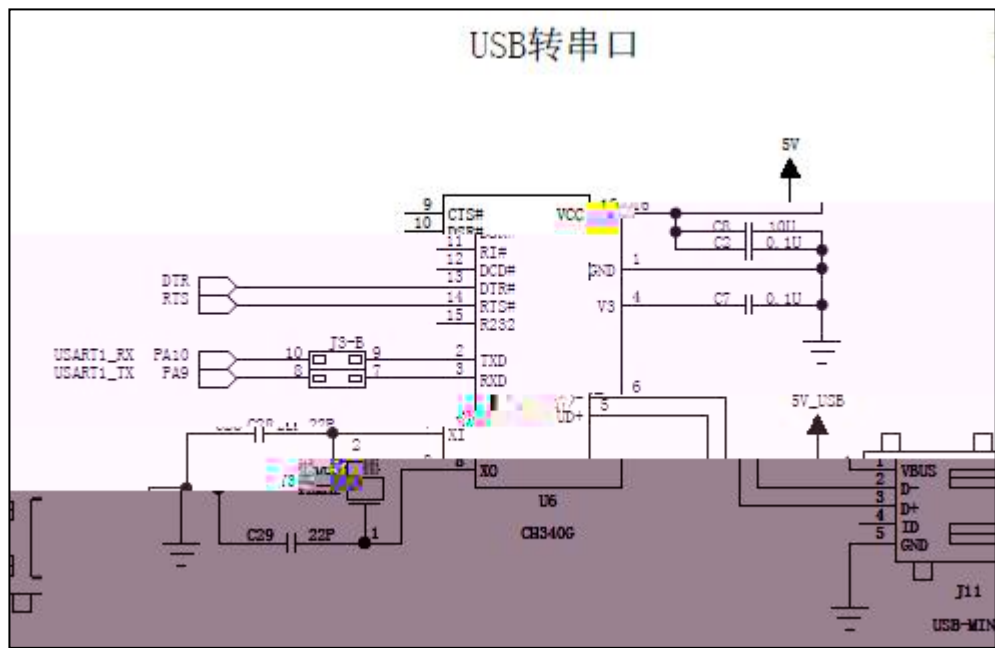


2

3

-

1



2

3

-



2

3

-

1



2

3

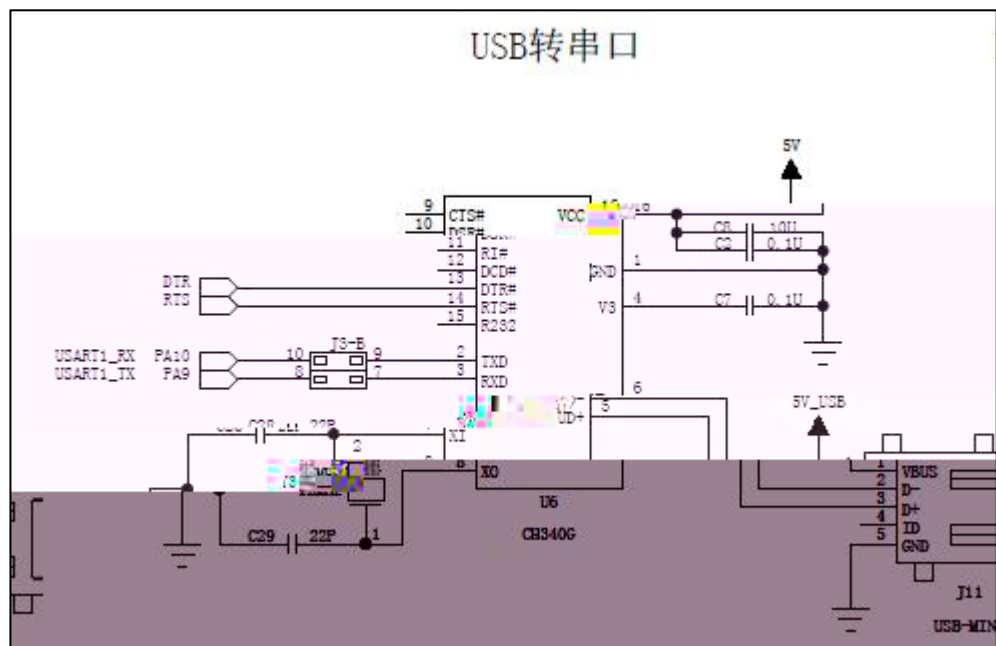


2

3

-

1



2

3

-

1

1

/ /

.0

/ /

()

/

1 0

20		10			0	
			6			
			7			
		10	8			
			9			

			10	
30				
		10		
		10		
50				
		10		

5

18

1
2

20sp

RGB #FF0000



3 :

2
1



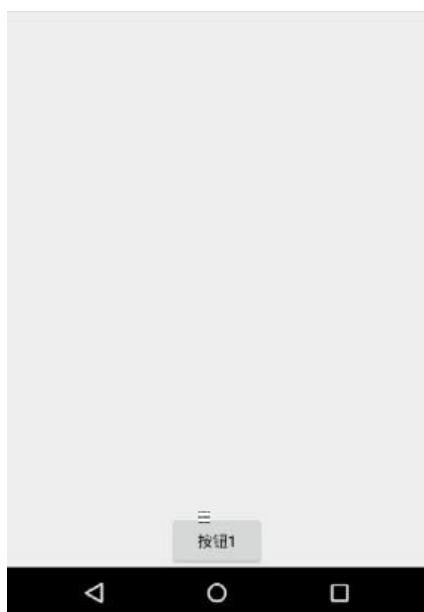
3 :

1

2

1

2



3

:

TextView

2

1



3

1

2

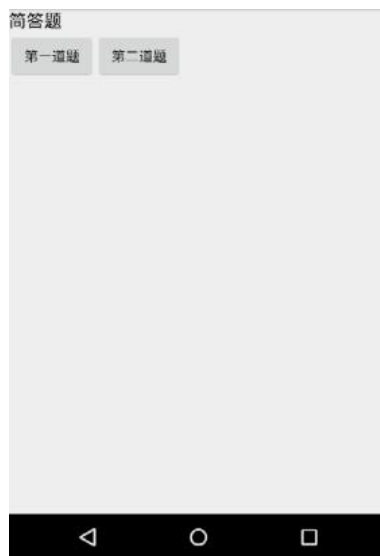


3

2

1

2



3

1

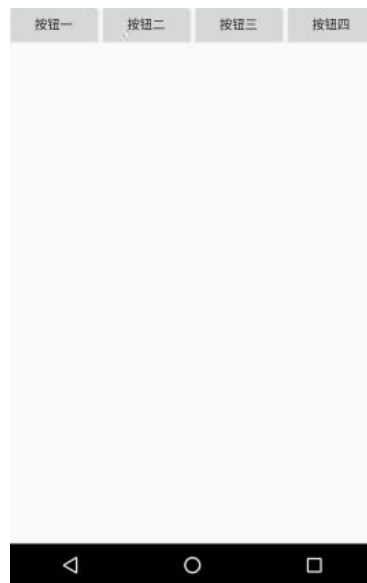
1 1 1 1

2

1

2

1 1 1 1



3

1

2

1



3

1

2

1

2



3

1

2

1

2

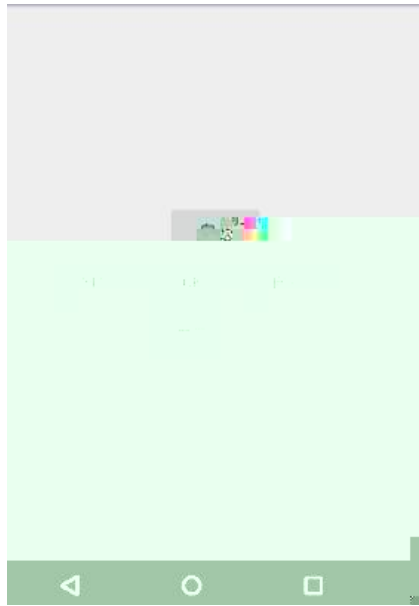


3

1

2

1



3

1

LED

2

1

2

3

TextView LED



3

1

LED

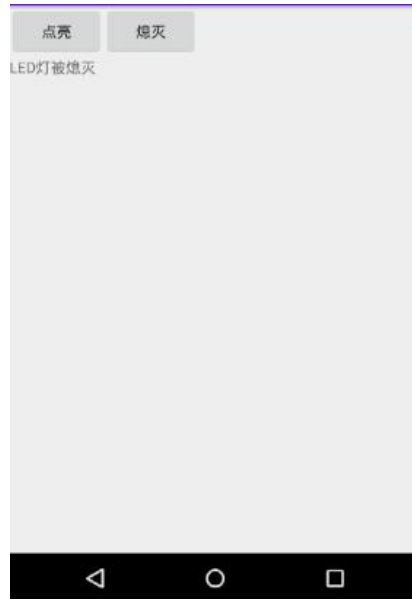
2

1

2

3

TextView LED



3

1

LED

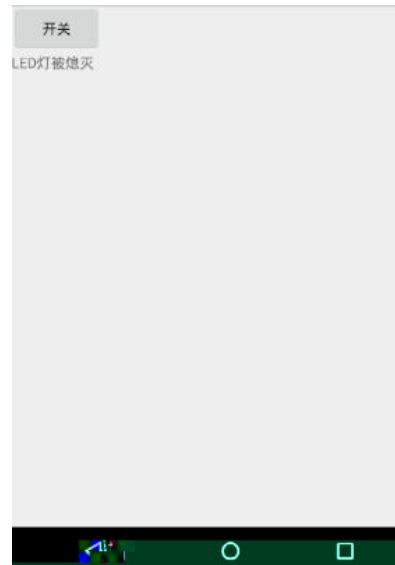
2

1

2

3

TextView LED



3

1

LED

2

1

2

3

4

TextVi ew



3

1

LED

2

1

2

3

4

ImageView

30dp*30dp



3

1

2

1

2



3

1

2

1

2



3